



## Electrical Test Equipment

### CK 610 Analog Panel Meter



The CK-610 features outstanding appearance and rugged, moving magnet construction. The case material is zinc plated steel. The bezel material is polystyrene. The CK-610 mounts in a 2-1/32" diameter panel hole with "U" clamp. Accuracy is 5% of full scale. The CK-616 is identical to the CK-610 but has mounting ears.

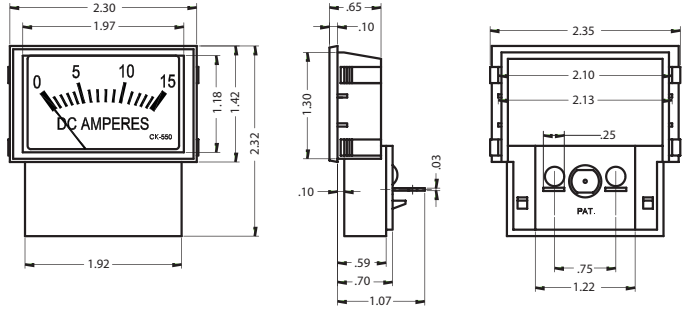
### Features & Benefits

- **Features**
  - Screw mounting
  - Outstanding appearance
  - Rugged moving magnet construction
  - Available in most AC / DC ranges
  - Case is zinc plated steel
  - ABC cycloc bezel available for marine applications
  - Accuracy 5% of full scale

Designed for economy, these rugged and dependable low cost meters come in a variety of AC and DC ranges and feature easy installation and an accuracy of  $\pm 5\%$  of full scale.



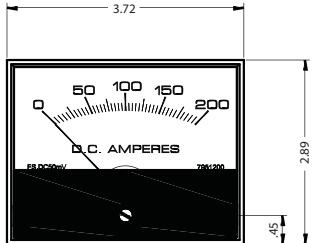
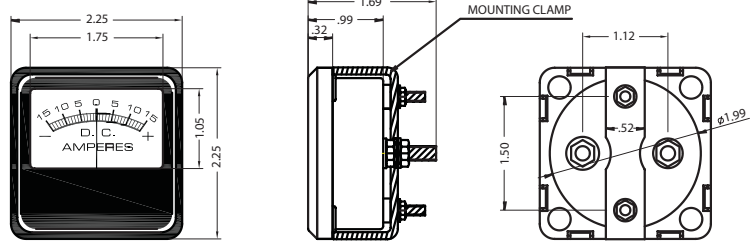
**CK-550**



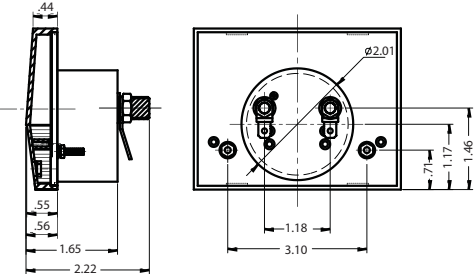
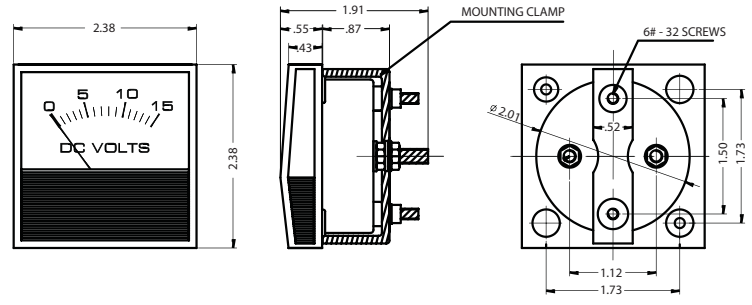
**CK-795 & CK-796**



**CK-580**



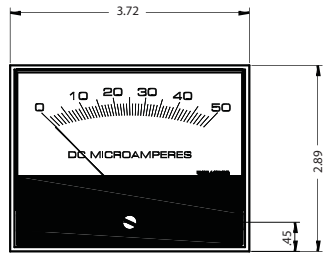
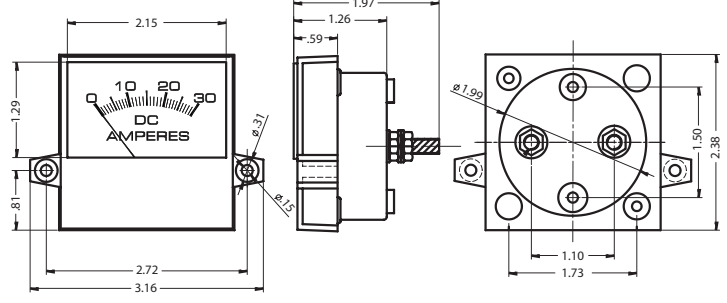
**CK-610**



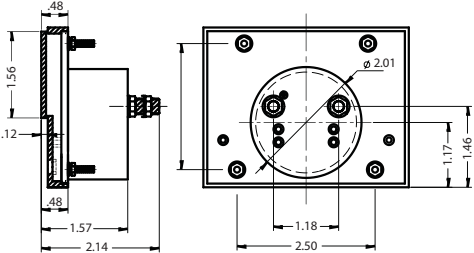
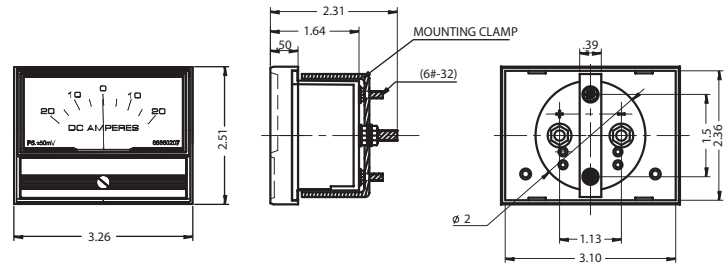
**CK-795**



**CK-616**



**CK-688**



**CK-796**